



# Residential Elevator

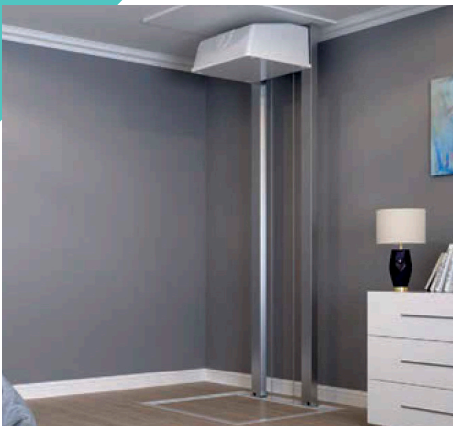
Taking your home to the next level



01MAY26 | MK-000233-C

# Add a touch of luxury to suit your lifestyle

with the latest in premium home access: a Pollock Residential Elevator



Images for guidance only

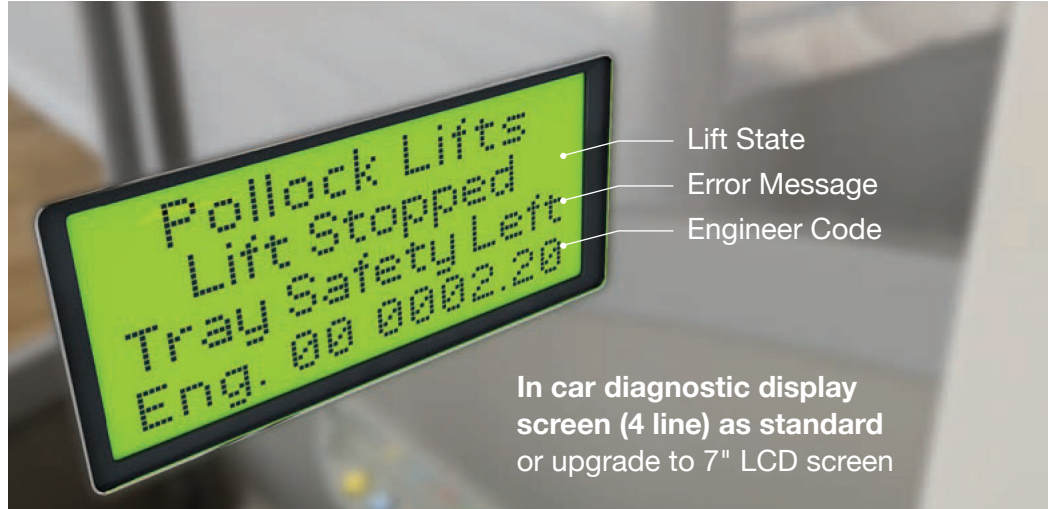
Travel in style and with ease in your home with our elegant Residential Elevator, and enjoy your home well into the future.

Providing smooth and quiet through-floor travel, the elevator includes external controls on both floors, and is equipped with our **Intelligent Logic Diagnostic Display**, offering a wealth of benefits to the user.

Quick and easy to install, the lift is located close to, but not attached to the wall. When the lift is not in the room, enjoy all of your living space.

UNIQUE TO  
POLLOCK HOMELIFTS

# Intelligent Logic Diagnostic Interface



In car diagnostic display screen (4 line) as standard or upgrade to 7" LCD screen

Since 1983, Pollock Lifts have been Ireland's only Residential Elevator manufacturer and the ultimate choice for adding value to home access using the latest technology.

Our innovative digital control system brings a wealth of benefits not only for end users but also for installers and service technicians with easier installation process, simplified servicing, and reduced fault finding.

From installation to operation, every detail has been designed with you in mind.



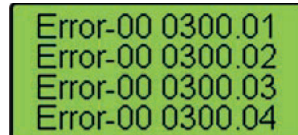
### Trip Counter

tracks number of travel cycles throughout lift lifespan



### Service Due Indicator

with overdue notification ensuring regular maintenance



### Lift Fault Memory Log

on board system for service engineers



### Fault Source Identified

enabling simple issues to be fixed over the phone



### Self-check Safety

prior to commissioning for extra safety assurance



### Lift Deactivation System

# Features and options to make it your own

## Configurations to suit your lifestyle

	Standard Features	Options
<b>Electric Drive System</b>		
Capacity	500 lb (230kg)	—
Rated Speed	16 FPM (0.08m/s)	—
Cabin Height (internal)	74 13/16" (1900mm)	70 7/8" (1800mm) or 78 3/4" (2000mm)
Travel	13' 9 3/4" (4.2m)	Extended travel up to 15' 9" (4.8m)
Rail Guards	Transparent	—
1st Floor Fix	Ceiling Fix	Wall Fix
Emergency Battery Backup	Yes	—
<b>Cabin Features</b>		
Lift Color	RAL 7035	Custom Color
PC Wall Panels (Compact/Twin)	3/16" (4mm)	
PC Wall Panels (Large)	3/8" (10mm)	
Rear Wall Side Panels	RAL 7042	Custom Color
Flooring	Grey Anti-slip Vinyl	Marble or Oak effect vinyl, or Custom
LED Lighting	White	Color Changing Mood Lighting
Door Handrail	Yes	—
Cabin Handrail	Yes, with control buttons	—
Tip-up Seat	No	265 lb (120kg) Tip-up Seat
<b>Operation</b>		
Controls	Remote (radio)	Surface or Flush (wired)
Diagnostic Display	4 Line	7" Color LCD
Door Operation	Manual	Powered
Emergency Telephone	Yes	—
Alarm	Yes	—

## Choose the size option that works for you

Available in 3 sizes and 3 cabin heights, you can choose the configuration that best suits your requirements and room dimensions.

The Residential Elevator can be installed in any room, according to your desired travel within your home and room floor plans.



**Compact**  
single person



**Twin**  
two person



**Large**  
extra cabin depth



**Cabin Heights**  
70 7/8", 74 13/16", 78 3/4"

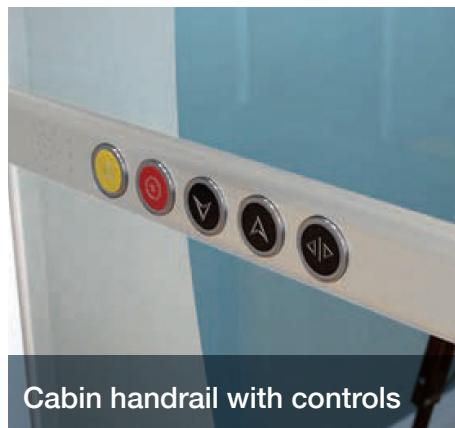
## Control the lighting to suit your mood

Why only have white LED lighting when you can enjoy a full spectrum of lighting colors?

Select the optional color-changing LED lighting with remote control.



7" Color LCD Display



Cabin handrail with controls



In-car emergency telephone



Tip-up seat



Oak effect vinyl flooring



Shallow ramp – less than 1"

## Enjoy the benefits of a Electric Drive System

Our Residential Elevator uses Electric Drive as standard to provide the most comfortable travel experience and installation and operational benefits.

- Soft start/stop
- Quieter travel
- Self-contained unit
- Smaller footprint
- Higher travel distance
- Less expensive to run
- Environmentally friendly



We love our Residential Elevator. Quiet and stylish - we were able to choose colors that perfectly matched our decor and the service from Pollock Homelifts was outstanding.



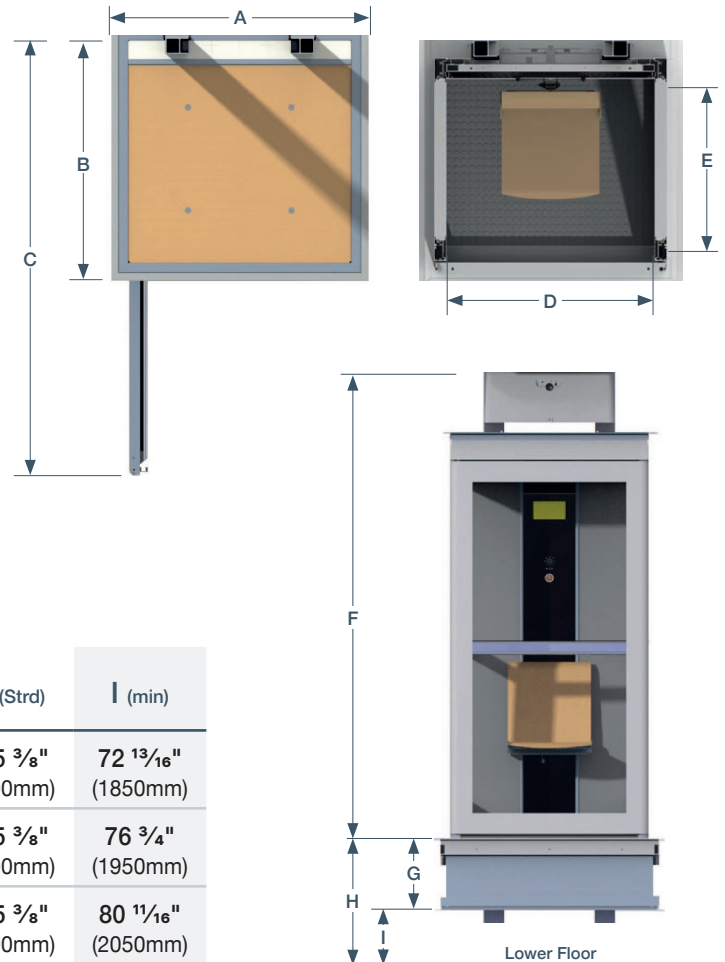
# Footprint Options

## Electric Drive System

Application	Private Residential Use Only
Noise db (1m / 5m)	55 / 50
Power Supply/Motor	115v (20a breaker)/0.75kW
Duty Cycle	10 cycles/hour
Operating Temperature Range	50°F to 104°F (10°C to 40°C)
Safety Features	Constant Pressure, Bottom Tray and Trapdoor Sensor, Battery Lowering, Telephone, Overspeed Brake
Lifting Mechanism	Rope suspension system
Design & Manufacturing Standard	<b>ETL Approved to ASME 17.1 and 17.5, and CSA B44.1</b>

A = Cabin Width  
 B = Cabin Length  
 C = Cabin door swing  
 D = Usable Width  
 E = Usable Length

F = Min. upper ceiling height  
 G = Max. aperture depth  
 H = Min. travel  
 I = Min. lower ceiling height



### Lift Footprint (Usable D x E)

	A	B	C
<b>21 5/16" x 29 1/2" (SM)</b> (542mm x 750mm)	31 1/8" (790mm)	43 1/4" (1098mm)	63 3/4" (1620mm)
<b>33 7/16" x 29 1/2" (MD)</b> (850mm x 750mm)	43 1/4" (1098mm)	43 1/4" (1098mm)	75 7/8" (1928mm)
<b>33 7/16" x 49 3/16" (LG)</b> (850mm x 1250mm)	43 1/4" (1098mm)	62 7/8" (1598mm)	95 9/16" (2428mm)

### Lift Height

	F	G (max)	H (min)	H (Strd)	I (min)
<b>1.8m Shrt cabin</b>	89 15/16" (2285mm)	17 11/16" (450mm)	78 3/4" (2000mm)	165 3/8" (4200mm)	72 13/16" (1850mm)
<b>1.9m Strd cabin</b>	93 7/8" (2385mm)	17 11/16" (450mm)	82 11/16" (2100mm)	165 3/8" (4200mm)	76 3/4" (1950mm)
<b>2.0m Tall cabin</b>	97 13/16" (2485mm)	17 11/16" (450mm)	86 5/8" (2200mm)	165 3/8" (4200mm)	80 11/16" (2050mm)





**Email:** [pollock@harmar.com](mailto:pollock@harmar.com)

**Phone:** 833-364-8700

**[www.pollockelevators.com](http://www.pollockelevators.com)**



1500 Independence Blvd., Suite 220  
Sarasota, FL 34234  
800-833-0478